

Sliding Door Hardware



Whitco[®]
SECURING YOUR HOME™

10YEAR MECHANICAL
WARRANTY

whitco.com.au

Contents



Blaxland™ Sliding Patio Door Lock

page 3



Lawson™ Sliding Patio Door Lock

page 5



Oxley™ Sliding Patio Door Lock

page 7



Mawson® Sliding Patio Door Lock

page 9



Accessories – Strikes, Outer Pulls, Packers & Cylinders

page 11

Blaxland™ Sliding Patio Door Lock

Description

Zinc diecast internal D handle deadlock with diecast outer pull.

Suitability

Suitable for residential aluminium or timber sliding doors.

Features & Specifications

- Surface Mounted
- Meets Australian Lock Standard AS4145.2 - 2008 S4 & D8
- Standard 82mm fixing holes
- Central turnbar hole for external cylinders
- Integral anti-lift pins to resist attempts to lift the door out of its track.
- Non-handed
- Adjustable stainless steel locking beak, with 6mm of closing adjustment.
- Self retracting beak avoids damage and accidental lockout.
- Suitable for use with a wide range of outer pulls and strikes.
- Available in Double Cylinder, External Single Cylinder, Internal Single Cylinder, Snib Only and Dummy variants.

Available in Display and Trade Packs.



Aluminium Timber



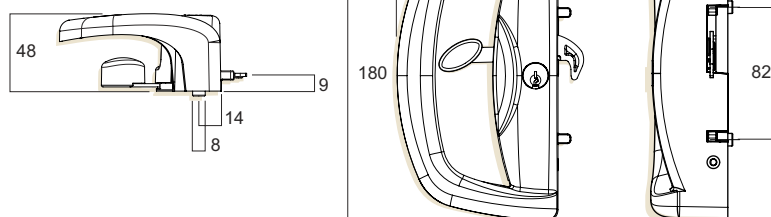
Sliding Patio

Keying

- Blaxland uses C4 5 pin cylinders as standard, and can be keyed alike to other C4 and CYL4® Whitco and Lockwood products.
- Also available with 10 Disc cylinders

Finishes

White	16
Black	17
Primrose	19



Ordering

Display Pack

Available in Black (BLK), White (WH) Primrose (PRM) W502PP/Z2••DP

Trade Pack

Double 5pin cylinder, offset outerpull, universal strike	W5002••
External 5pin cylinder, offset outerpull, universal strike	W5020••
Internal 5pin cylinder, offset outerpull, no strike	W5016••
Snib only, offset outerpull, no strike	W5021••
Dummy, offset outerpull, 17.5mm strike	W5024••
Dummy, offset outerpull, 14mm strike	W5023••

Accessories

Strikes

Reversible Universal Face Fix Strike W5665**

Outer Pulls

Standard diecast with cylinder hole	W5480**
Standard diecast no cylinder hole	W5481**

Packers

Handle packer, 5MM	W5050**
Strike packer, plastic 5MM	W564117
Strike packer, diecast 9.5MM	W564617



Lawson™ Sliding Patio Door Lock

Description

Polymer slimline pull mounted to a metal lock base, with polymer external pull.

Suitability

Suitable for residential aluminium or timber sliding doors.

Features & Specifications

- Surface Mounted
- Standard 82mm fixing holes
- Central turnbar hole for external cylinders
- Integral anti-lift pins to resist attempts to lift the door out of its track.
- Non-handed
- Adjustable stainless steel locking beak, with 6mm closing adjustment
- Self retracting beak avoids damage and accidental lockout.
- Suitable for use with a wide range of outer pulls and strikes.
- Available in Double Cylinder, External Single Cylinder, Internal Single Cylinder, Snib Only and Dummy variants.
- Design Registered

Available in Trade Pack Only.



Aluminium Timber



Sliding Patio

Keying

Lawson uses 10 Disc cylinders as standard. 5 Pin C4 cylinders can be supplied as an option. C4 cylinder versions can be keyed alike to other C4 and CYL4® Whitco and Lockwood products.

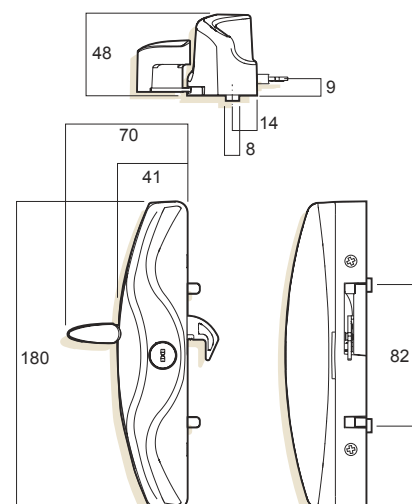
Finishes

Black 17

Ordering

Trade Pack

Double 10 disc cylinder, offset polymer outerpull, universal strike	W505217
External 10 disc cylinder, offset polymer outerpull, no strike	W506117
External 5 pin cylinder, offset polymer outerpull, no strike	W506317
Internal 10 disc cylinder, offset polymer outerpull, no strike	W505917
Internal 10 disc cylinder, flat outer pull, no strike	W506017
Snib only, offset polymer outerpull, no strike	W506517
Snib only, flat outer pull, no strike	W506617
Dummy, offset polymer outerpull, 14mm strike included	W506717



Oxley™ Sliding Patio Door Lock

Description

Polymer internal D handle mounted to a metal lock base, with polymer external pull.

Suitability

Suitable for residential aluminium or timber sliding doors.

Features & Specifications

- Stylish tough polymer 'D' handle molded solid to create a one piece handle without infill or coring Polymer construction gives superior resistance in corrosive environments.
- Surface Mounted
- Standard 82mm fixing holes
- Central turnbar hole for external cylinders
- Integral anti-lift pins to resist attempts to lift the door out of its track.
- Non-handed
- Adjustable stainless steel locking beak, with 6mm closing adjustment
- Self retracting beak avoids damage and accidental lockout.
- Available in Double Cylinder, External Single Cylinder, Internal Single Cylinder, Snib Only and Dummy variants.
- Suitable for use with a wide range of outer pulls and strikes
- Design registered

Available in Display and Trade Packs.

Keying

Oxley uses 10 Disc cylinders as standard. 5 Pin C4 cylinders can be supplied as an option. C4 cylinder versions can be keyed alike to other C4 and CYL4® Whitco and Lockwood products.

Finishes

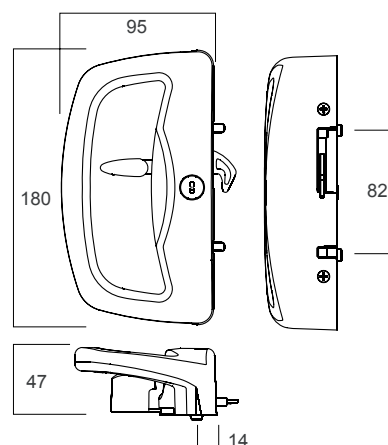
Black 17

Ordering

Display Pack	W554DD/P7BLKDP
Trade Pack	
Double 10 disc cylinder, plastic outer pull, plastic universal strike	W554DD/P7BLK
Internal 10 disc cylinder, plastic outer pull, diecast universal strike	W554DB/P2BLK
External 10 disc cylinder, plastic outer pull, plastic universal strike	W554BD/P7BLK
Snib only, plastic outer pull, no strike,	W554BB/P0BLK
Dummy, plastic outer pull, plastic 14MM strike	W564BB/P6BLK
Dummy, plastic outer pull, die cast 14MM strike	W562BB/Z6BLK



Aluminium Timber



Accessories

Handle Packer, 5MM W555017

Mawson® Sliding Patio Door Lock

Description

Zinc diecast inner D handle deadlock with diecast outer pull.

Suitability

Suitable for residential aluminium or timber sliding doors. Mawson incorporates a low profile D handle for doors fitted with an internal security screen.

Features & Specifications

- Australian made with an imported cylinder
- Surface Mounted
- Standard 82mm fixing holes
- Central turnbar hole for external cylinders
- Integral anti-lift pins to resist attempts to lift the door out of its track.
- Non-handed
- Self retracting beak avoids damage and accidental lockout.
- Suitable for use with a wide range of outer pulls and strikes
- Available in External Single Cylinder, Snib Only and Dummy variants.



Aluminium Timber



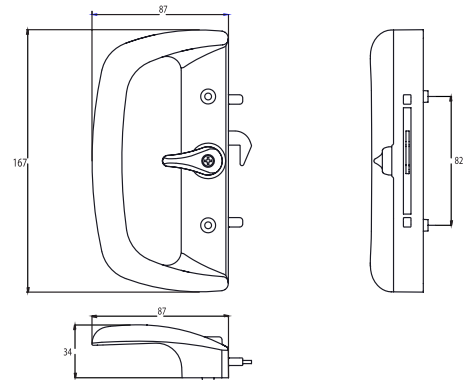
Sliding Patio

Available in Trade Pack Only.

Keying

Mawson uses C4 5 pin cylinders as standard, and can be keyed alike to other C4 and CYL4® Whitco and Lockwood products.

Also available with 10 Disc cylinders.



Finishes

Black	17
Special Powder coat	

Not all versions are available in all finishes. Please contact 1300 LOCKUP for current availability of your variant.

Ordering

Trade Pack

External 5 pin cylinder, standard diecast outer pull, Mawson strike	W5401••
External 5 pin cylinder, standard diecast outer pull, no strike	W5406••
External 5 pin cylinder, flat diecast outer pull, Mawson strike	W5420••
Snib only, no cylinder, standard diecast outer pull, Mawson strike	W5407••
Internal D handle, no cylinder, outer pull or strike	W5430••
Dummy D handle, standard diecast outer pull, Mawson strike	W5440••

Accessories

Strikes

Universal diecast strike	W5665••
Mawson, diecast strike	W548217

Outer Pulls

Standard diecast with cylinder hole	W5480••
Standard diecast no cylinder hole	W5481••

Packers

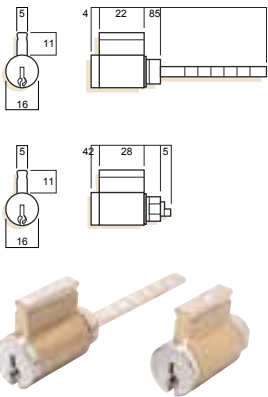
Handle packer, 5MM	W548317
Strike packer, 3MM	W564117

Accessories – Strikes, Outer Pulls, Packers & Cylinders

Cylinders

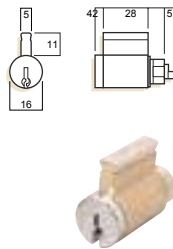
5 pin external and 5 pin inside cylinder pair

W532000 KD
W532100 10KA



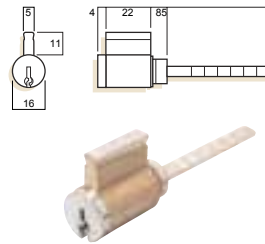
5 pin internal cylinder

W532200 KD
W532300 10KA



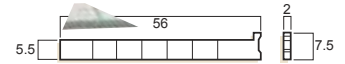
5 pin inside cylinder suits Blaxland, Lawson and Mawson

W531100 KD
W531000 10KA
W531600 20KA



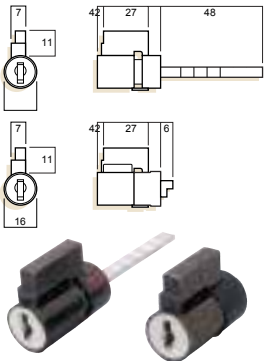
Turn bar for 5 pin cylinder

W531200



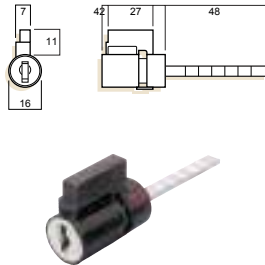
10 disc cylinder and 10 disc inside cylinder pair

W532400 KD
W532500 10KA



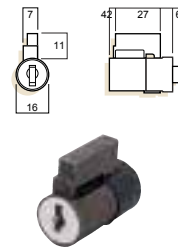
10 disc external cylinder

W532600 KD
W53270010 KA



10 disc internal cylinder

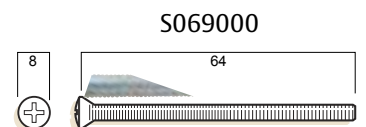
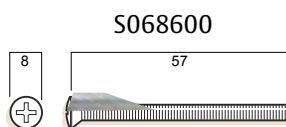
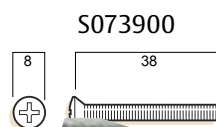
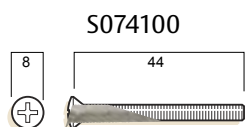
W532800 KD
W532900 10KA



Connecting Screws

38 mm (S073900), 44 mm (S074100) and 57 mm (S068600), 64 mm (S069000) (No 8 UNC thread form)

• Each Sold in packs of 100



Accessories – Strikes, Outer Pulls, Packers & Cylinders

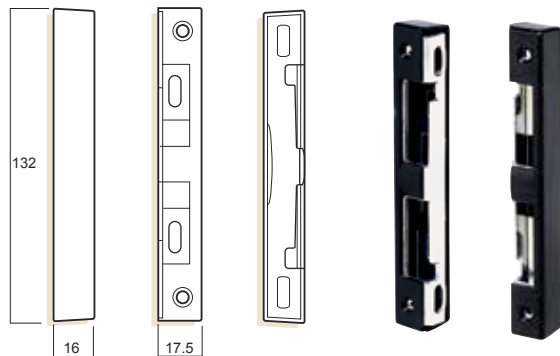
Strike

See price list for available pack / finish combinations

Lawson / Mawson

Stainless Steel platform with economical black polymer cover, suitable for either front and face mounting.

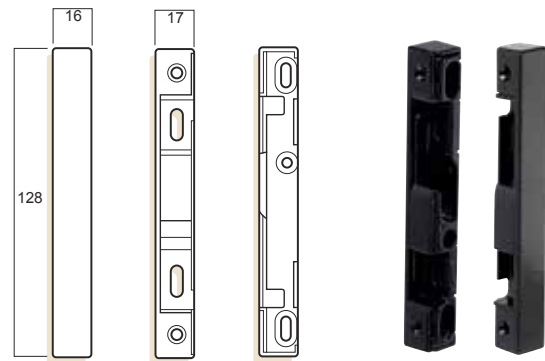
W548217



Reversible Uni Face Fix

Zinc diecast platform with diecast metal cover, suitable for either front and face mounting.

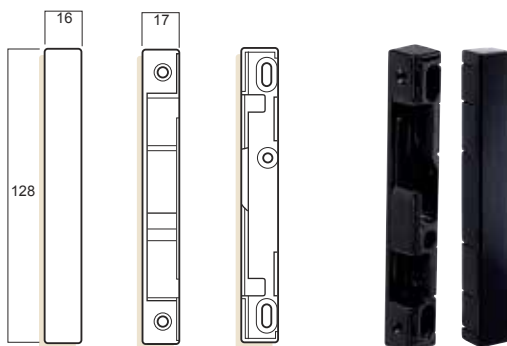
W5665••



Reversible universal front fix

Zinc diecast platform with diecast metal cover, suitable for front mounting.

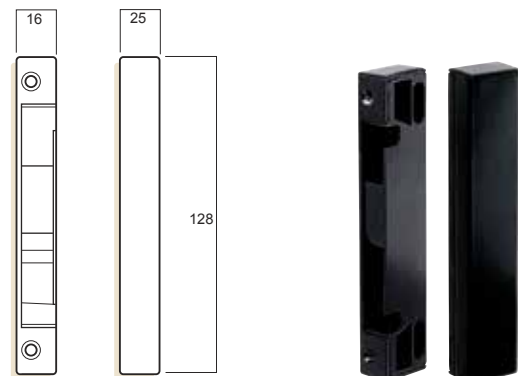
W5662••



Extra width front fix

Zinc diecast platform with diecast metal cover, suitable for front mounting.

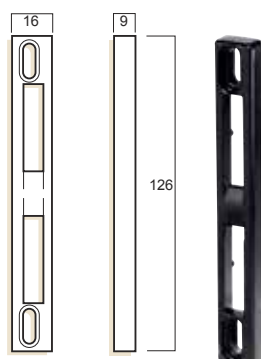
W5658••



9 mm face

Zinc diecast body, suitable for face mounting.

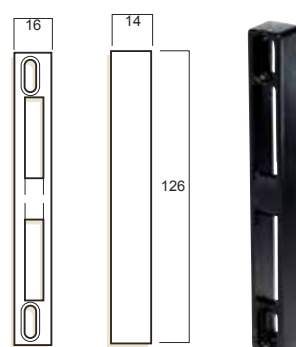
W565117



14 mm face

Zinc diecast body, suitable for face mounting. Can be face mounted to a dummy handle for bi-parting applications.

W5652••

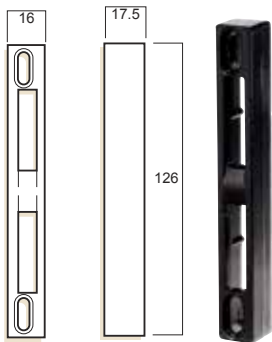


Accessories – Strikes, Outer Pulls, Packers & Cylinders

17.5 mm face fix

Zinc diecast body, suitable for face mounting.
Can be face mounted to a dummy handle for bi-parting applications.

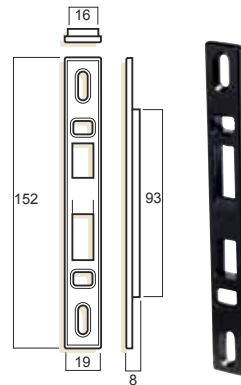
W5655••



Recessed face fix

Diecast metal platform, suitable for recessed face fixing in timber jambs.

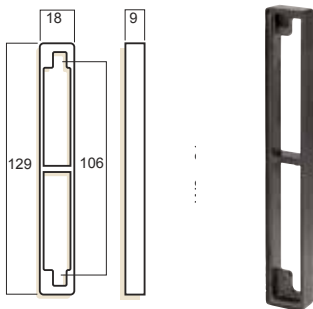
W5647••



Strike Packer

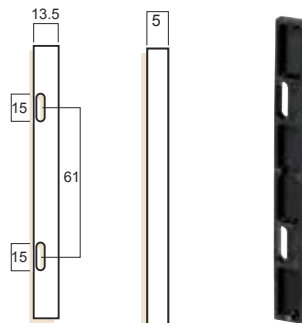
Universal 9 mm diecast Strike Packer.

W564617



FaceFix 5 mm Polymer Strike Packer.

W5641••



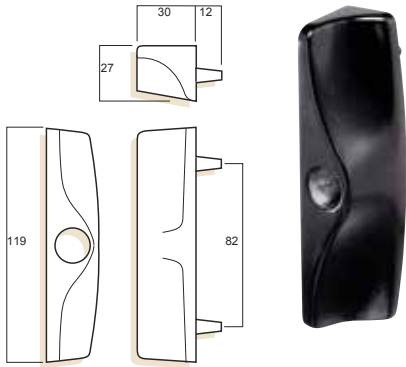
Accessories – Strikes, Outer Pulls, Packers & Cylinders

Outer Pulls

Offset

Zinc diecast offset, 6 degree offset
with cylinder hole
no cylinder hole

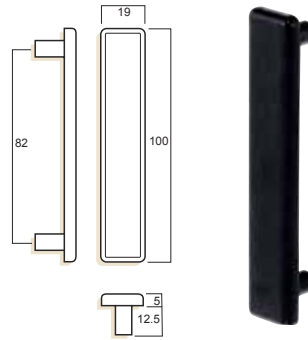
W5480••
W5481••



Cover Plate

Zinc diecast

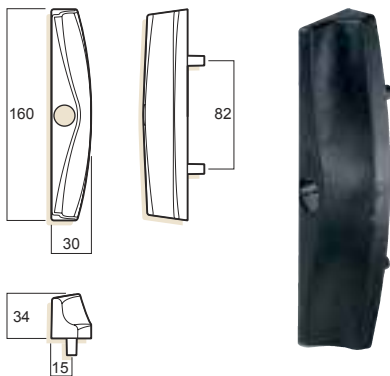
W530417



Lawson – offset

Polymer with 10 degree offset
with cylinder hole and holder
no cylinder hole

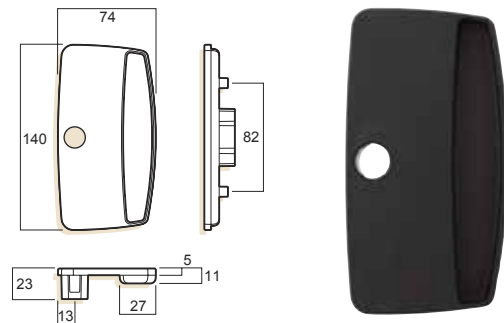
W548517
W548617



Lawson – Flat

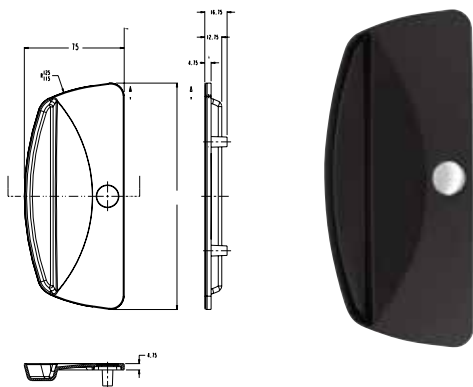
Polymer
with cylinder hole and housing
with no cylinder hole or housing

W548717
W548817



Flat – Diecast

Zinc diecast pull with cylinder hole and cylinder housing W5064••
Blank outer - no cylinder hole or housing W5075••



Whitco[®]

Whitco protects millions of Australian homes and offers the largest range of security and hardware products for residential doors and windows in Australia. With our proud heritage, and by offering a wide variety of locks at affordable prices, Whitco has become one of Australia's most trusted brands.

The Whitco brand is an integral part of ASSA ABLOY Australia Pty Limited, the market leader in the lock and security products industry in Australia.

ASSA ABLOY

ASSA ABLOY is the global leader in door opening solutions, dedicated to satisfying end-user needs for security, safety and convenience.

ASSA ABLOY is represented in all major regions, in both mature and emerging markets, with leading positions in Australia, Europe and North America.

As the world's leading lock group, ASSA ABLOY offers a more complete product range of door opening solutions than any other company in the market.

Australia
1300 LOCK UP (1300 562 587)
whitco.com.au

New Zealand
Telephone +64 94157111
assaabloy.co.nz

ASSA ABLOY Australia Pty Ltd
235 Huntingdale Road
Oakleigh, Victoria, 3166
Australia

info.au@assaabloy.com
assaabloy.com.au

ASSA ABLOY New Zealand Ltd
6 Armstrong Road
Albany, North Shore City, 0632
New Zealand

info.nz@assaabloy.com
assaabloy.co.nz

An ASSA ABLOY Group brand

Disclaimer

Whilst every effort has been made to ensure that the information contained in this brochure is accurate at the time of publication, ASSA ABLOY Australia Pty Limited ("ASSA ABLOY") recommends that you consult ASSA ABLOY or its agents prior to placing an order to ascertain current information on specific products, as ASSA ABLOY reserves the right to make any changes without notice. ASSA ABLOY will not be liable for any injury, loss or damage whatsoever, arising from any errors or omissions in the information contained in the brochure or arising from the use or application of the information contained herein.